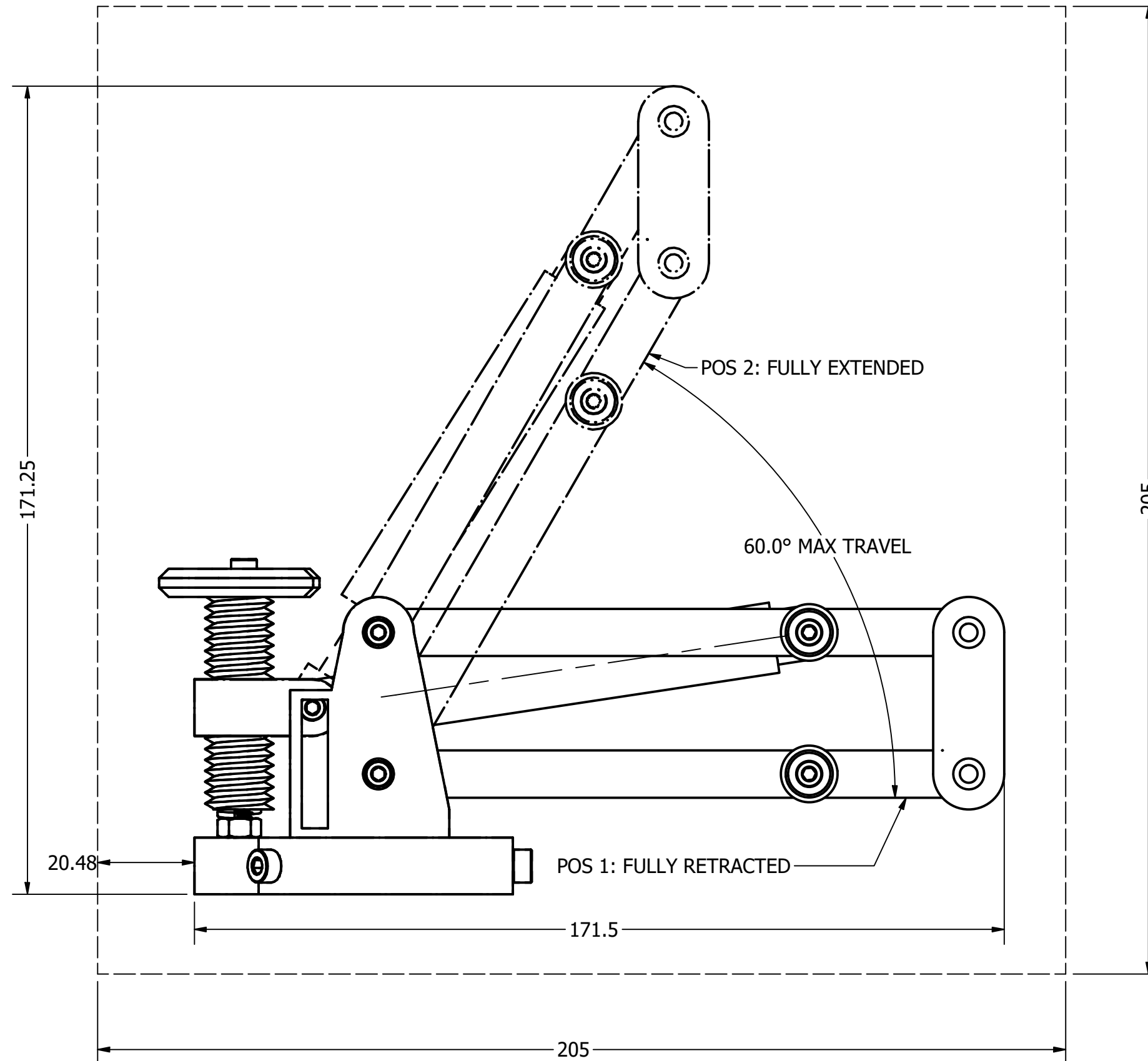


ISOMETRIC VIEW
SCALE 1.5:1



UNLESS OTHERWISE SPECIFIED, DIMENSIONS ARE IN MILLIMETERS

DRAWN Derek Li	5/19/2025	Farmingdale State College		
CHECKED		TITLE		
QA		Gas Spring Assembly		
MFG		SIZE C	DWG NO	REV
APPROVED		SCALE 1 : 1	Gas Spring Assembly	
			SHEET 1 OF 1	